



## AM-5G16-120, AM-5G17-90 Quick Start Guide

## Package Contents



Antenna



Rocket Mount Assembly



Pole Bracket



Pole Clamp



Carriage Bolts (Qty. 2)



Serrated Flange Bolts (Qty. 2)



Serrated Flange Nuts (Qty. 8)



RF Cables (Qty. 2)

## Installation Requirements

- Rocket®M5 or RocketM5 GPS (sold separately)
- 13 mm wrench
- Shielded Category 5 (or above) cabling should be used for all wired Ethernet connections and should be grounded through the AC ground of the PoE.

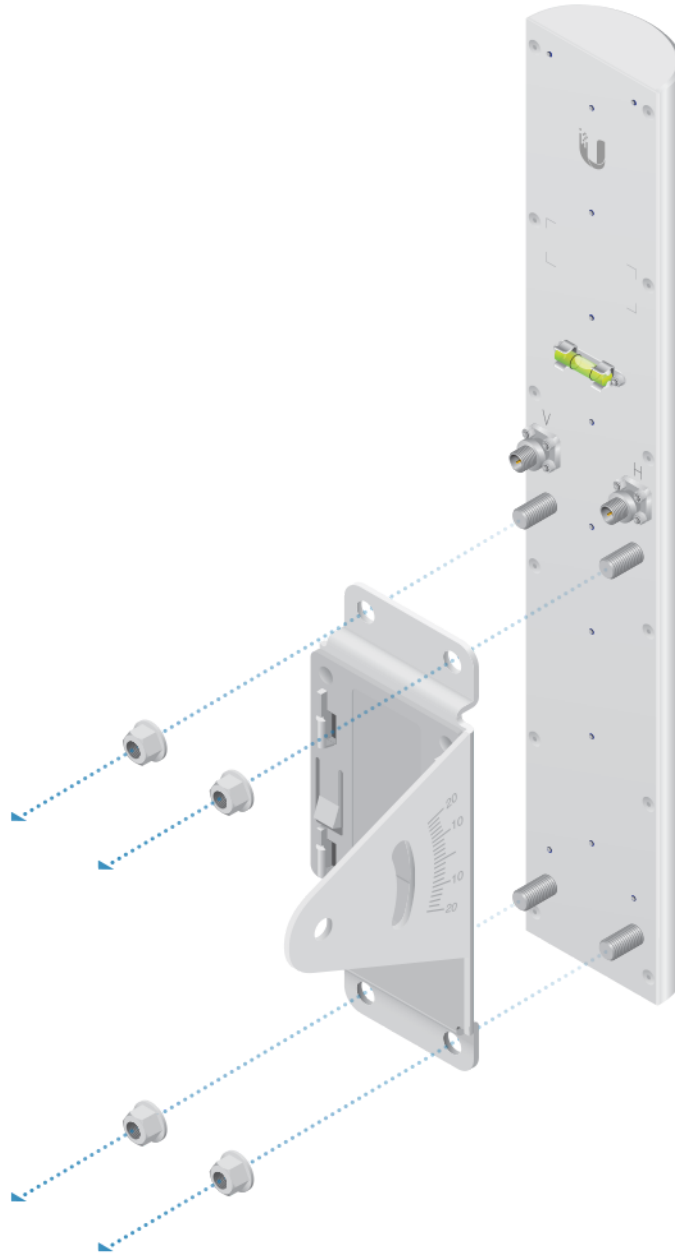
We recommend that you protect your networks from harmful outdoor environments and destructive ESD events with industrial-grade, shielded Ethernet cable from Ubiquiti. For more details, visit [ui.com/toughcable](https://ui.com/toughcable)



## AM-5G16-120, AM-5G17-90 Quick Start Guide

Both models, AM-5G16-120 and AM-5G17-90, share the same form factor and installation instructions.

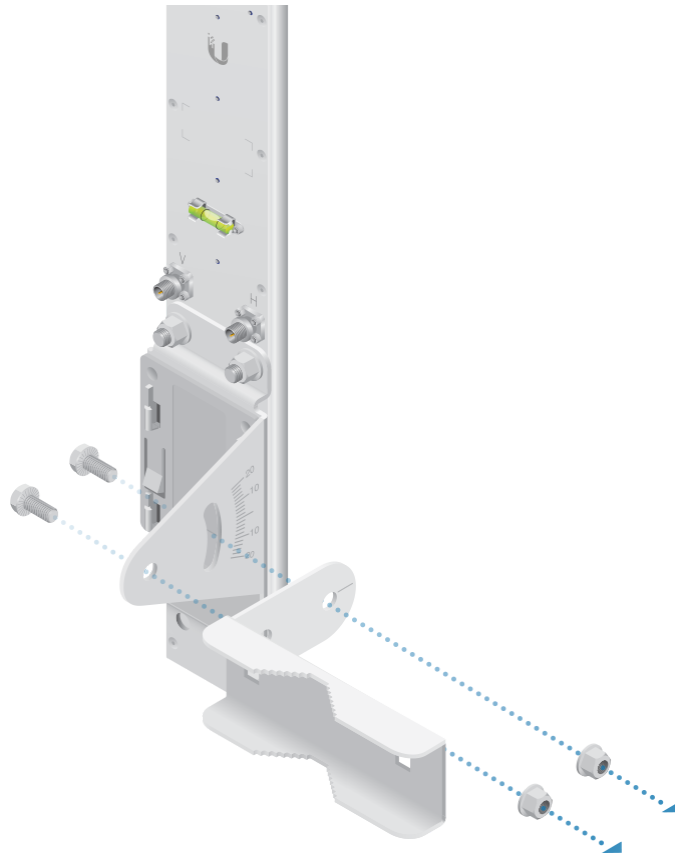
1.



2.



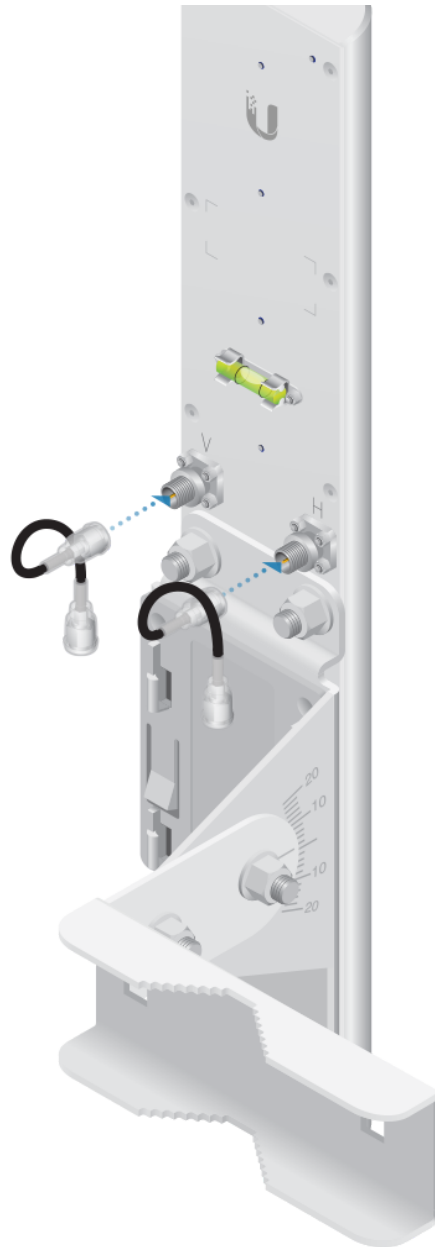
# AM-5G16-120, AM-5G17-90 Quick Start Guide



3.



# AM-5G16-120, AM-5G17-90 Quick Start Guide



4.



# AM-5G16-120, AM-5G17-90 Quick Start Guide



5.



# AM-5G16-120, AM-5G17-90 Quick Start Guide



6.



# AM-5G16-120, AM-5G17-90 Quick Start Guide

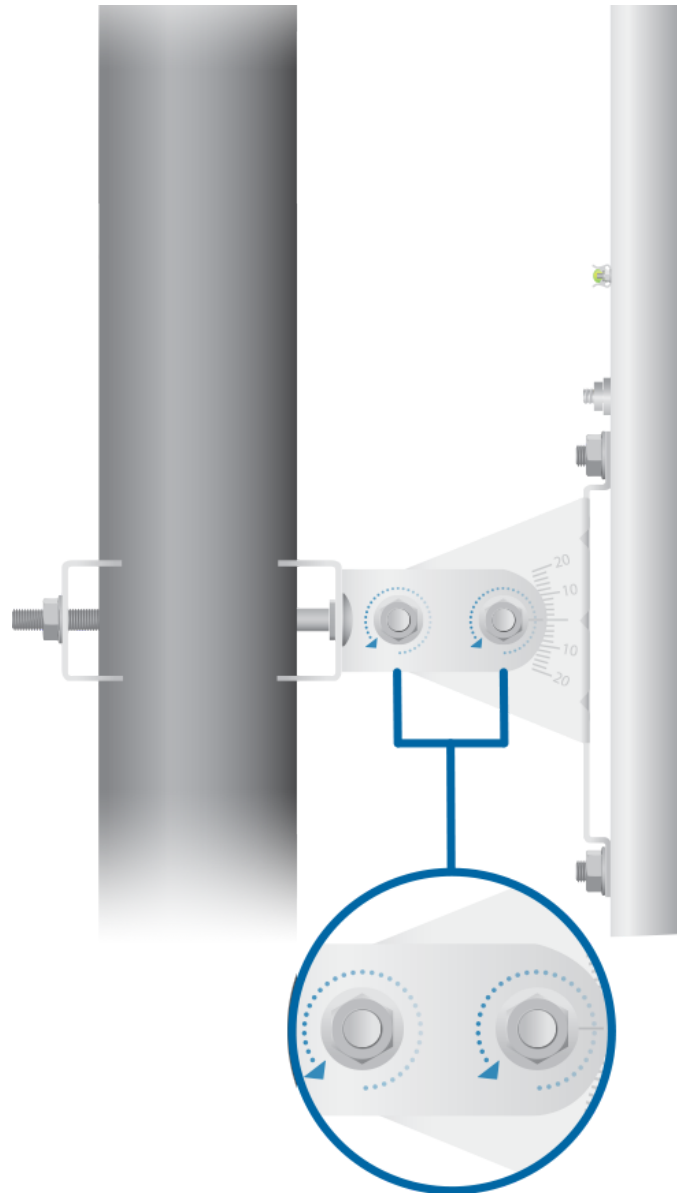


**Note:** Hand-tighten the nuts.

7.



## AM-5G16-120, AM-5G17-90 Quick Start Guide



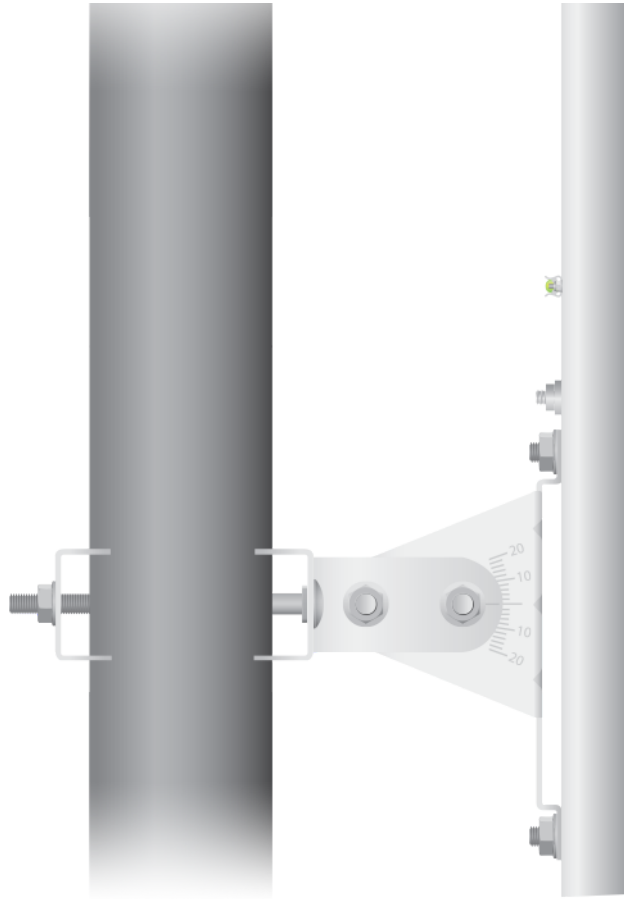
**Note:** The antenna has an electrical downtilt of 4°.

8.

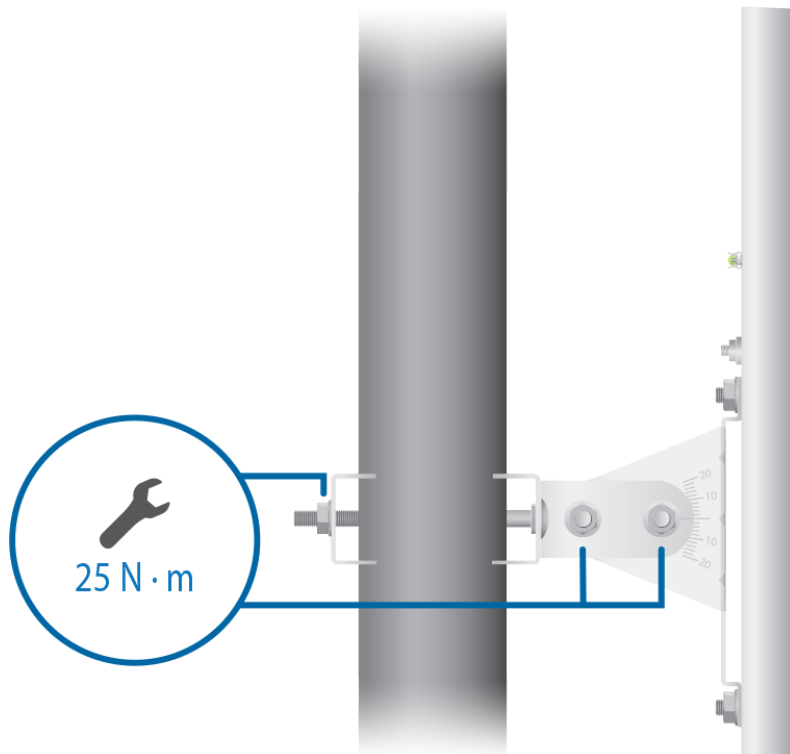




## AM-5G16-120, AM-5G17-90 Quick Start Guide



9.



## Specifications

AM-5G16-120/AM-5G17-90	
Dimensions	367 x 63 x 41 mm (14.45 x 2.48 x x 1.61")



## AM-5G16-120, AM-5G17-90 Quick Start Guide

Weight (mount included)	2.43 kg (2.43 lb)
Frequency	
AM-5G16-120	5.10 - 5.85 GHz
AM-5G17-90	4.90 - 5.85 GHz
Gain	
AM-5G16-120	15.0 - 16.0 dBi
AM-5G17-90	16.1 - 17.1 dBi
HPOL Beamwidth	
AM-5G16-120	137° (6 dB)
AM-5G17-90	72° (6 dB)
VPOL Beamwidth	
AM-5G16-120	118° (6 dB)
AM-5G17-90	93° (6 dB)
Elevation Beamwidth	8°
Electrical Downtilt	4°
Max. VSWR	1.5:1
Wind Survivability	200 km/h (125 mph)
Wind Loading	41.7 N @ 200 km/h (9.375 lbf @ 125 mph)
Polarization	Dual Linear
Cross-Pol Isolation	22 dB Min.
ETSI Specification	EN 302 326 DN2
Mounting	Universal Pole Mount, Rocket Bracket, and Weatherproof RF Jumpers Included

## Safety Notices

1. Read, follow, and keep these instructions.
2. Heed all warnings.
3. Only use attachments/accessories specified by the manufacturer.



**WARNING:** Do not use this product in location that can be submerged by water.



**WARNING:** Avoid using this product during an electrical storm. There may be a remote risk of electric shock from lightning.

## Electrical Safety Information



## AM-5G16-120, AM-5G17-90 Quick Start Guide

result in improper operation, damage to the equipment or pose a fire hazard if the limitations are not followed.

2. There are no operator serviceable parts inside this equipment. Service should be provided only by a qualified service technician.

## Limited Warranty

[ui.com/support/warranty](https://ui.com/support/warranty)

The limited warranty requires the use of arbitration to resolve disputes on an individual basis, and, where applicable, specify arbitration instead of jury trials or class actions.

## Compliance

### RF Exposure Warning

The antenna and transmitter must be installed to provide a separation distance from all persons and must not be located or operating in conjunction with any other antenna or transmitter. For the specific separation distance, refer to the Quick Start Guide for your Rocket device (transmitter).

L'antenne et l'émetteur doit être installé pour fournir une distance de séparation de toute les personnes et ne doit pas être situé ou opérant en conjonction avec une autre antenne ou un autre émetteur. Pour la distance spécifique de séparation, se référer au Guide de démarrage rapide pour votre appareil Rocket (l'émetteur).

### WEEE Compliance Statement

### Declaration of Conformity

## Online Resources

